

THIS DRAWING IS UNPUBLISHED.

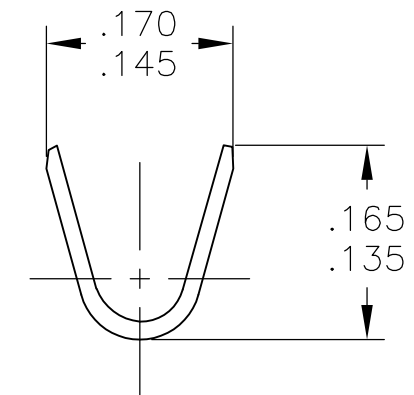
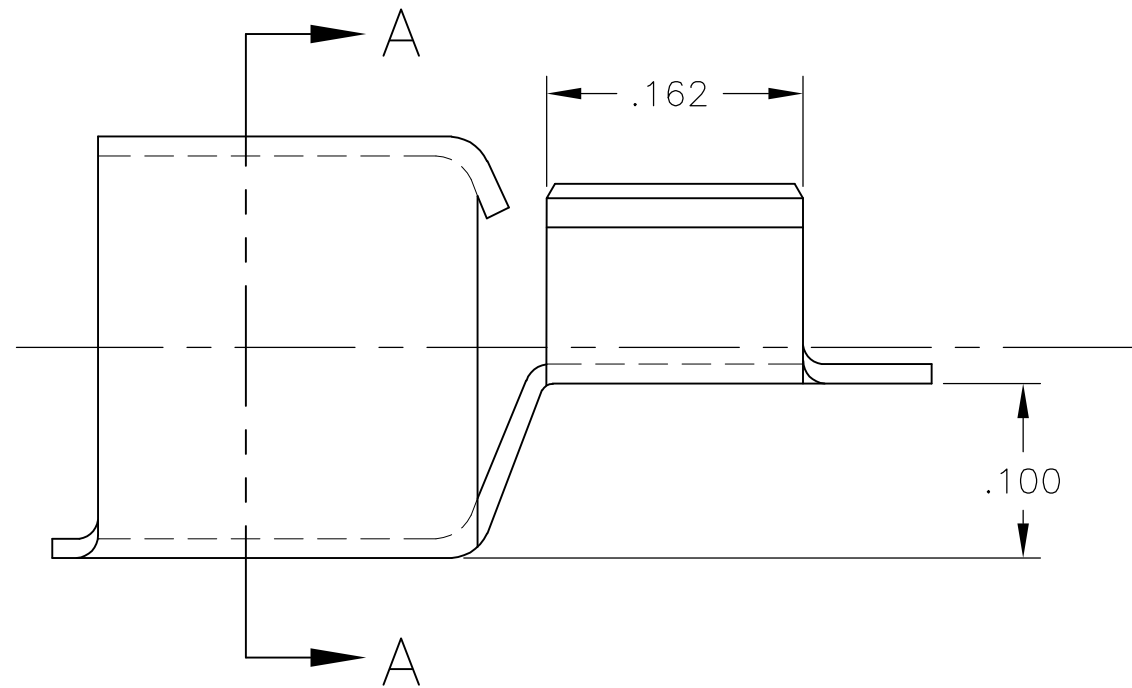
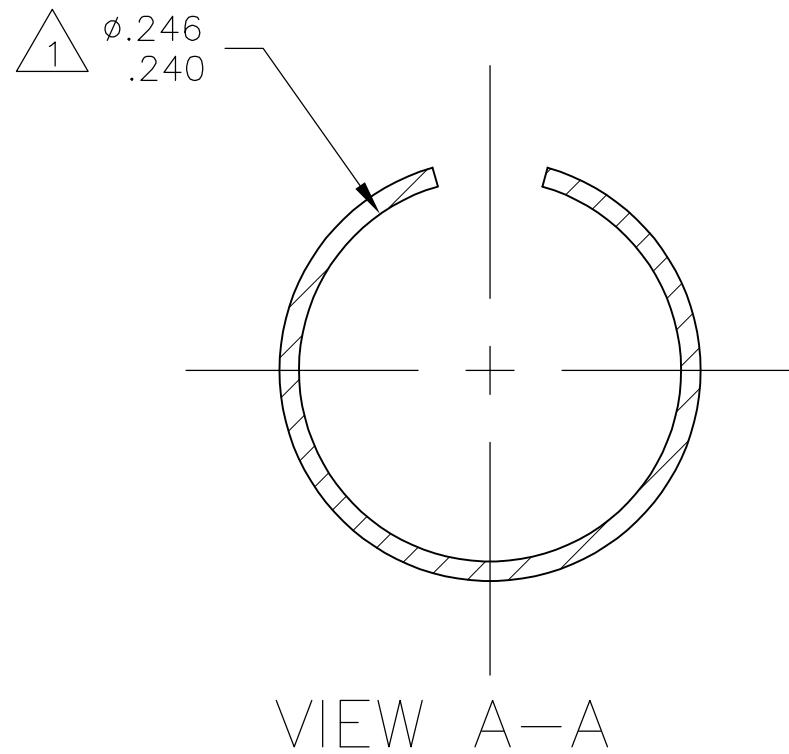
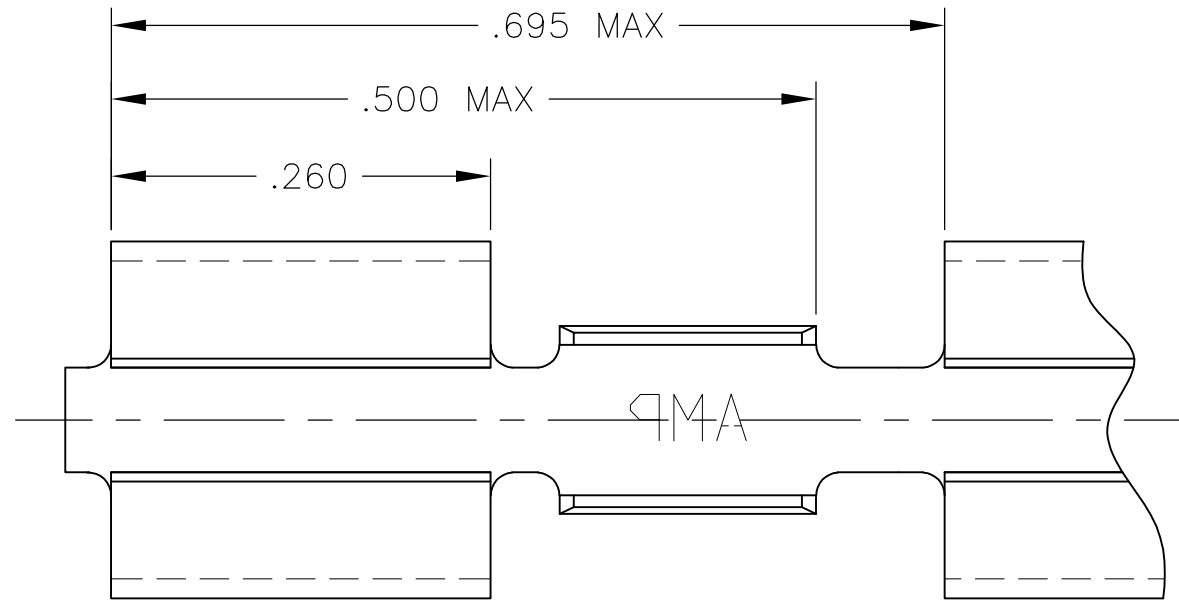
RELEASED FOR PUBLICATION

REVISIONS

© COPYRIGHT - By -

ALL RIGHTS RESERVED.

P	LTR	DESCRIPTION	DATE	DWN	APVD
	H1	REVISED PER ECR-17-000551	20NOV2016	RS	TD



PRE-TIN	.020 BRASS	40626
PLATING	MATERIAL	PART NO

1 FITS ON $\phi.250 \pm .003$ PIN.

THIS DRAWING IS A CONTROLLED DOCUMENT.		DWN RAVI S 20NOV2016	STE TE Connectivity	
DIMENSIONS: INCHES		CHK LI DAISY 16JAN2017		
TOLERANCES UNLESS OTHERWISE SPECIFIED:		APVD DING TIM 20NOV2016	NAME FUSE RECEPTACLE	
0 PLC ± -		PRODUCT SPEC -	SIZE CAGE CODE DRAWING NO RESTRICTED TO	
1 PLC ± -		APPLICATION SPEC -	A3 00779 C-40626	
2 PLC ± -		WEIGHT -	SCALE 1:1 SHEET 1 OF 1 REV H1	
3 PLC ± .015		CUSTOMER DRAWING		
4 PLC ± -				
ANGLES ± -				
MATERIAL SEE TABLE				
FINISH SEE TABLE				